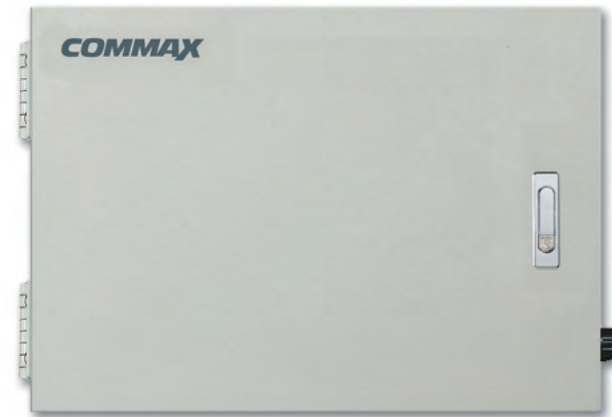


Since 1968

Home Network  
**COMMAX**

# COMMAX



## User Manual

OUT SIDE DISTRIBUTOR CCU-OS

**COMMAX Co.,Ltd.**

513-11, Sangdaewon-dong, Jungwon-gu, Seongnam-si, Gyeonggi-do, Korea

Int'l Business Dept. : Tel.; +82-31-7393-540~550 Fax.; +82-31-745-2133

Web site : [www.commax.com](http://www.commax.com)

Printed In Korea / 2010.04.101

[www.commax.com](http://www.commax.com)

**COMMAX Co.,Ltd.**



- Thank you for purchasing COMMAX products.
- Please carefully read this User's Guide (in particular, precautions for safety) before using a product and follow instructions to use a product exactly.
- The company is not responsible for any safety accidents caused by abnormal operation of the product.



# Table of Contents

Warnings and caution. ....	2
1. Features. ....	4
2. Initialization of PIN in outside distributor. ....	4
3. System Diagram and wiring. ....	5
4. Specification. ....	8



# Warnings and caution

☉ Make sure to follow the instructions to prevent any danger or property losses.

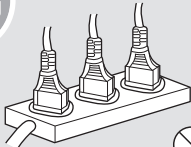


**Warning** Death or serious injury is expected.

- It indicates prohibition.
- It indicates prohibition of disassembly.
- It indicates prohibition of contact.
- It indicates dos and don'ts.
- It indicates that the plug should be pulled out from the socket.



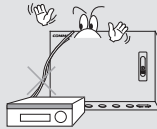
**Warning**



Prohibition

**Do not put the plug in the socket simultaneously.**

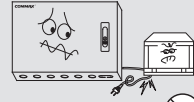
It may generate abnormal heat or cause a fire.



Prohibition

**Do not connect to other products while in use.**

It may cause breakdown.



Prohibition

**Do not forcibly bend the cord or put a heavy object on the product.**

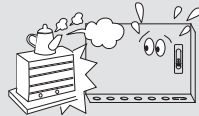
It may cause a fire.



Prohibition

**Do not use water, thinner or a detergent used to wash oil products when you wash the exterior.**

Make sure to wash it by using a dry cloth to prevent any breakdown or electric shock.



Prohibition

**Do not install the product in a humid place.**

It may cause an electric shock or a fire.



Prohibition

**Do not forcibly pull out the cord from the socket.**

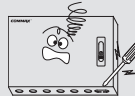
If the cord is damaged, it may cause a fire or an electric shock.



Do not contact.

**Do not put the plug in the socket with a wet hand.**

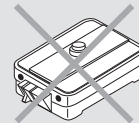
It may cause an electric shock.



Do not disassemble

**Do not disassemble, repair or modify the product.**

It may cause a fire, an electric shock or an injury due to malfunction of the product.



**Do not use AC circuit breaker.**

It may cause an electric shock.

# Warnings and caution



**Caution** An injury or property losses are expected

- It indicates prohibition.
- It indicates prohibition of disassembly.
- It indicates prohibition of contact.
- It indicates do's and don'ts.
- It indicates that the plug should be pulled out from the socket.



<p><b>If the socket holes are larger than normal, do not put the plug.</b> It may cause an electric shock or a fire.</p>	<p><b>Make sure that dust or foreign substances are not gathered on the product.</b></p>	<p><b>Make sure to prevent foreign substances from entering the product.</b> It may cause a breakdown.</p>
<p><b>Do not put a heavy object on the product.</b> It may cause a breakdown.</p>	<p><b>Do not disassemble or give an impact to the product.</b></p>	<p><b>Avoid direct rays of the sun or heating devices at a time of installation.</b></p>
<p><b>Install the product in a flat and stable place.</b> Otherwise, it may not function properly.</p>	<p><b>Pull the plug if the product is not used for a long time.</b></p>	<p><b>If the product generates strange sound, make sure to pull the plug immediately and contact Commax service center.</b></p>



## 1. Features

**This is outside distributor which is connected with outside panel (DRC-OSC/OSB).**

- ① Connect up to 4 Multi Entry Panels (DRC-OSC/OSB).
- ② Connect up to 12 building distributor (CCU-BS).
- ③ Connect with outside guard station.
- ④ Need separate power source (DC14V) for outside distributor (CCU-OS).
- ⑤ Need separate power source (DC 24V, 1A) for outside entry panel (DRC-OSC/OSB)



## 2. Initialization of PIN in outside distributor.

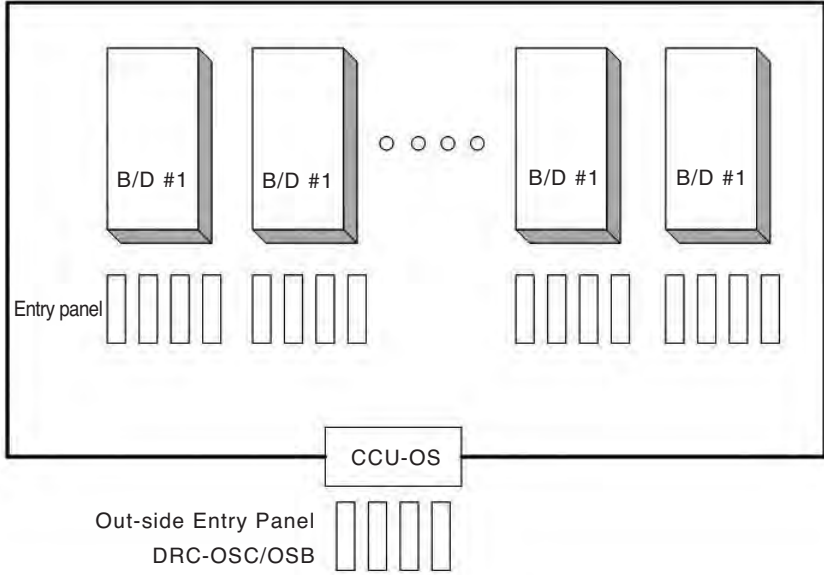
\* All the information of Outside password is stored in the outside distributor (CCU-OS).

1. Shut off the Outside Distributor and open the unit' s case.
2. While pressing "SW2 " power on the Outside Distributor and the password will initialize to "4, 3, 2, 1" and the Lamp will blink for 3 seconds.

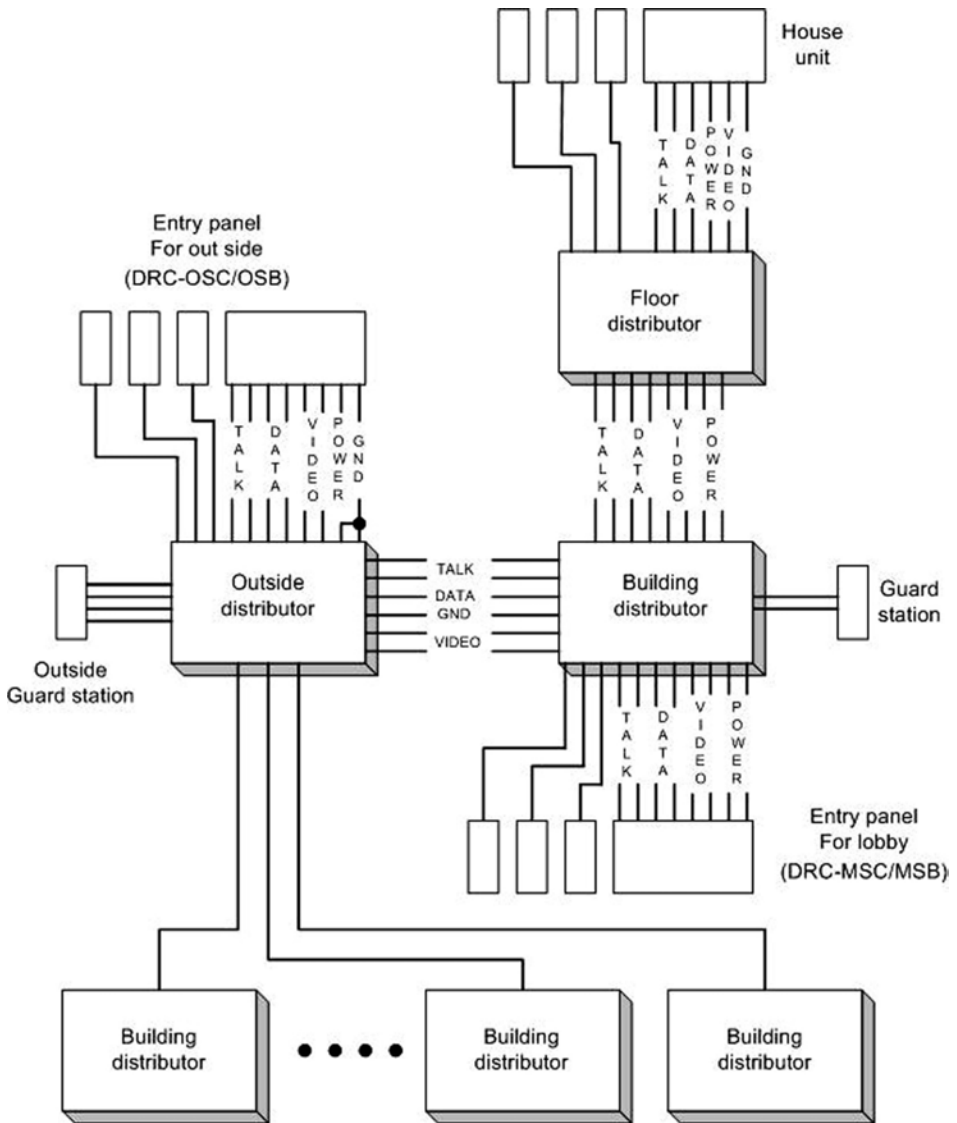


### 3. System diagram and wiring

#### ♣ CCU-OS system diagram (Total 12 buildings)

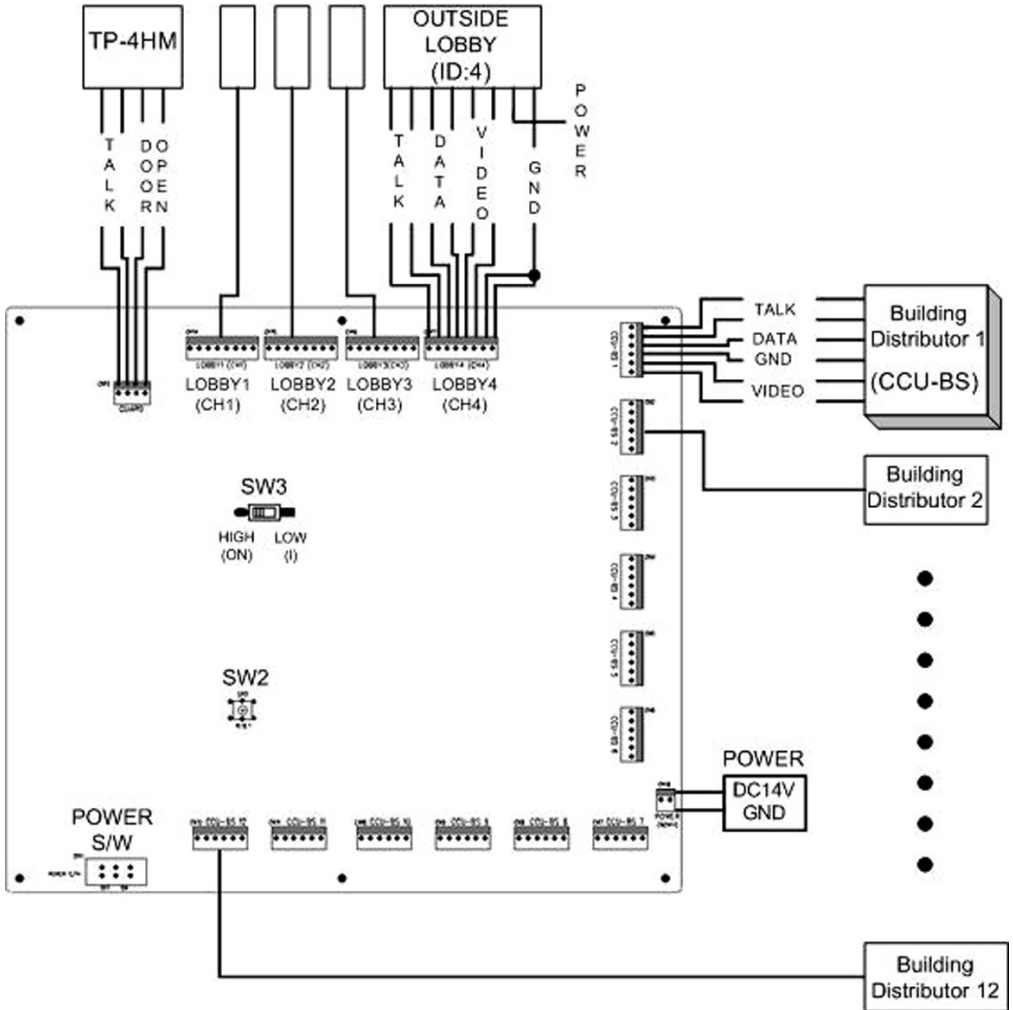


## ♣ CCU-OS systemwiring



## 🔥 CCU-OS Wiring

Entry panel for outside  
(DRC-OSC/OSB)





## ♣ Wiring method and Terminal Functions of CCU-OS

☞ Terminals in CCU-OS should be connected to Entry Panel as follows.

CCU-OS    Entry Panel

Lobby1    ⇒ Assigned ID 1

Lobby2    ⇒ Assigned ID 2

Lobby3    ⇒ Assigned ID 3

Lobby4    ⇒ Assigned ID 4

☞ CCU-OS to DRC-OSC/OSB : 8 wires (Talk 2,Data2,Video 2,GND 2)

☞ Separate power is needed for CCU-OS(14V/3A) which is already installed inside(AC-100~240V,50~60Hz)

☞ CCU-OS to CCU-BS : 6 wires(Talk 2, Data1,GND 1, VIDEO 2).

## ♣ Connector and its description on CCU-OS

☞ CN1~CN12 : Terminal to connect with CCU-BS

☞ CN13 : Guard station (Audio Type)

☞ CN14~CN17 : Out-Side Entry Panel(DRC-OSC/B)

☞ CN18 : POWER(DC14V/3A)

☞ SW1 : Power Switch

☞ SW2 : Reset switch of PIN to Default.

☞ SW3 : Put "low" position within 100m distance between CCU-OS and Out-Side Entry Panel

Put "high" "position in more than 100m distance between CCU-OS and Out-Side Entry Panel

## 4. Specification.

	CCU-OS
Wiring	CCU-OS : 8 wire (Talk2, Data2, VIDEO 2, GND 2) CCU-OS –CCU-BS : 6 wire (Talk2, Data1, GND1, VIDEO 2)
Power voltage	14V/3A (AC100~240V, 50~60Hz Including Power supply)
Power requiremen	Standby : 50mA Maximum operation: 300mA
Distance range	From CCU-OS to Outside Entry Panel(300m) : UTP(0.5) From CCU-OS to CCU-BS(300m) : UTP(0.5)